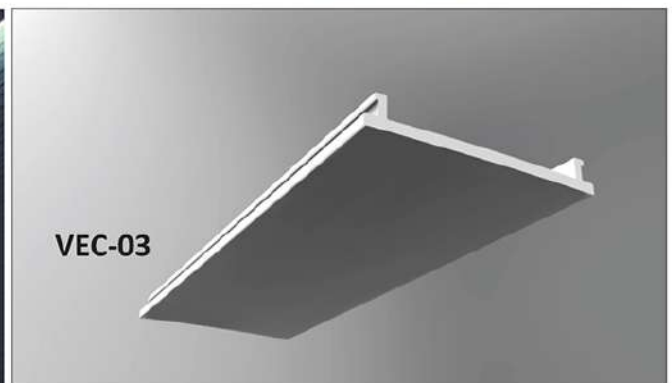
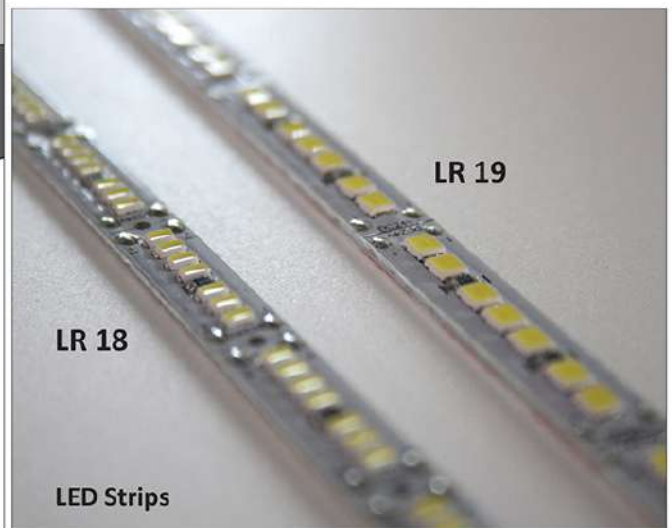
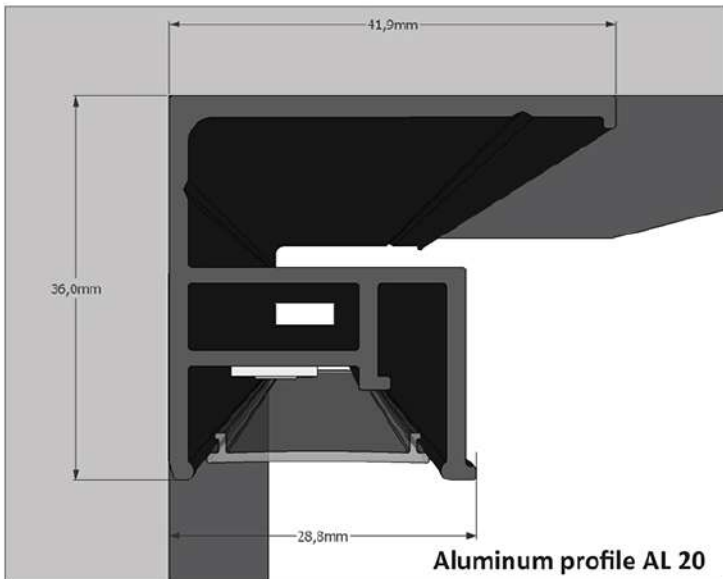


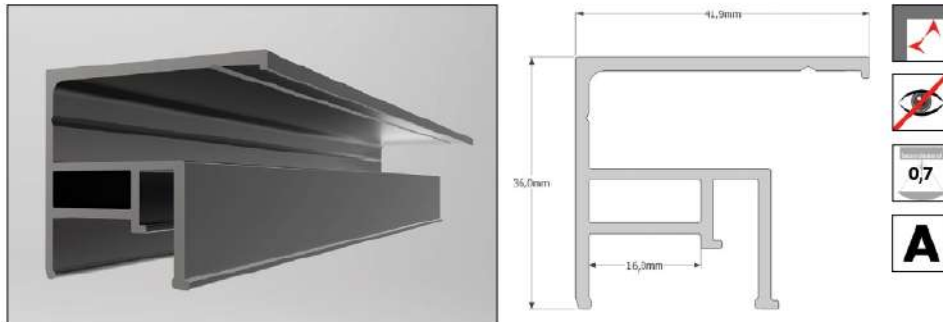
## CROWN LIGHT SYSTEM

**Crown Light System AL20 + LR18or LR19 + VEC-03 sold as a system**

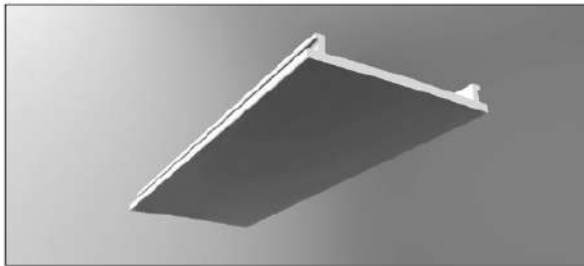


# AL 20

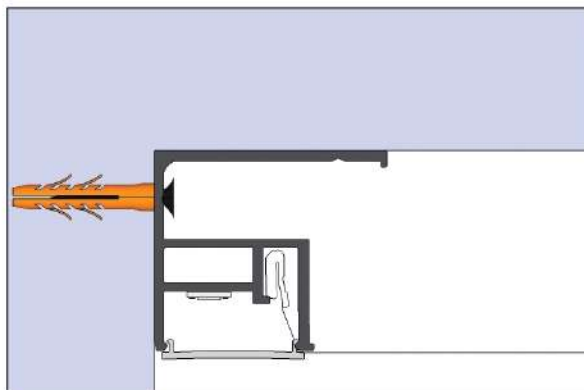
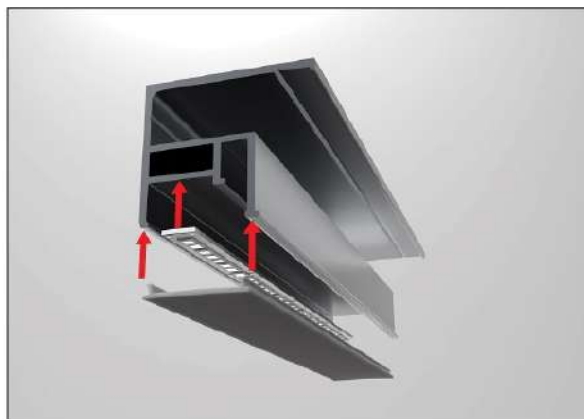
AL 20 Aluminum profile for CROWN LIGHT system 42x36



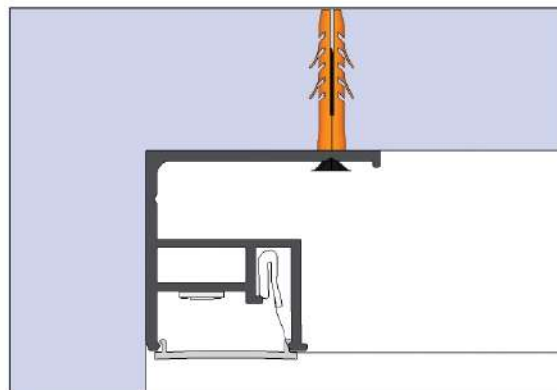
AL 20 Aluminum profile CROWN LIGHT system 42x36 is used for walls and ceilings for creating cornice lighting around the perimeter of the room. Crown Light System AL20+LR18 or LR19+VEC-03 sold as a system. Standard profile length 2,5m, special order 5m long profile.



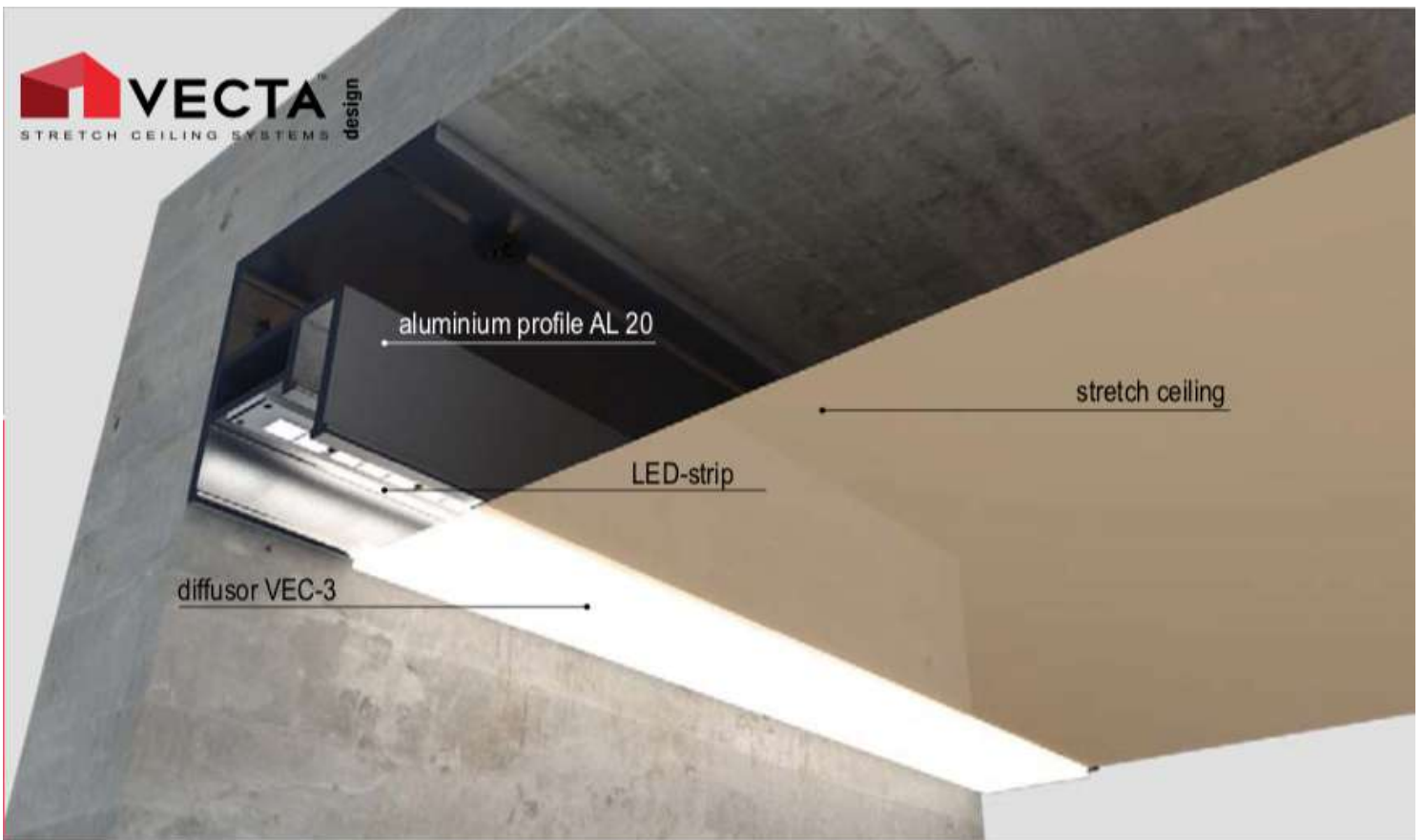
VEC 3 White matt flat diffuser for profile AL 20



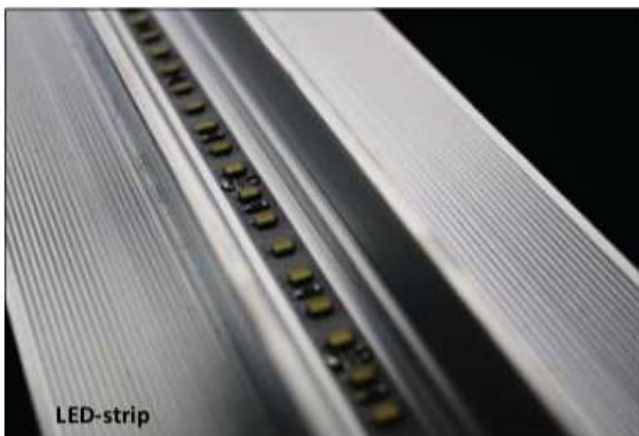
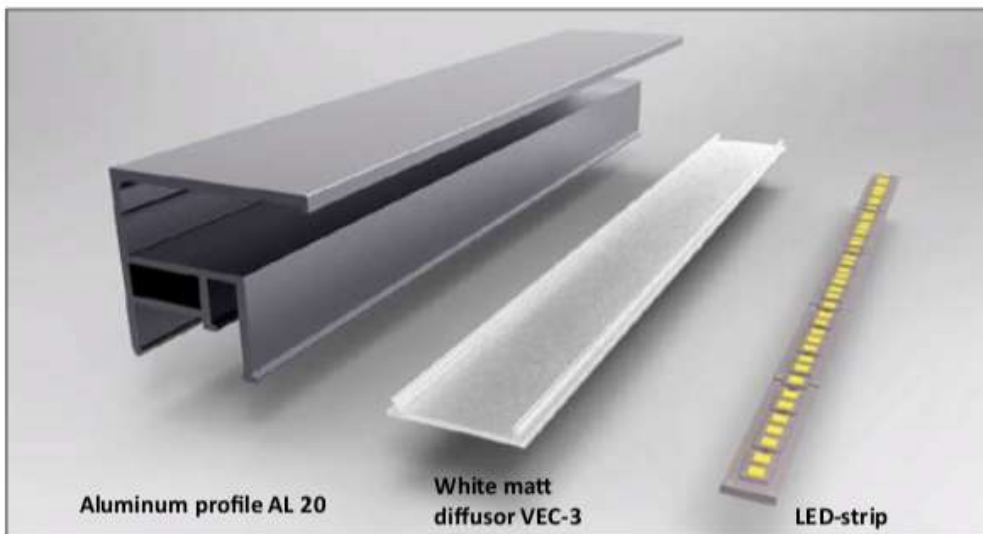
Fastening to the wall



Fastening to the ceiling



**CROWN LIGHT SYSTEM COMPRISES OF ALUMINUM PROFILE AL20, LED-SOURCE AND DIFFUSOR VEC-3**

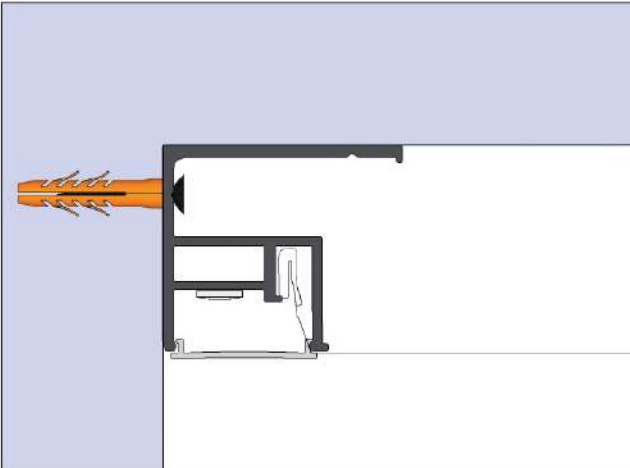


**LED STRIPS TECHNICAL SPECIFICATIONS**

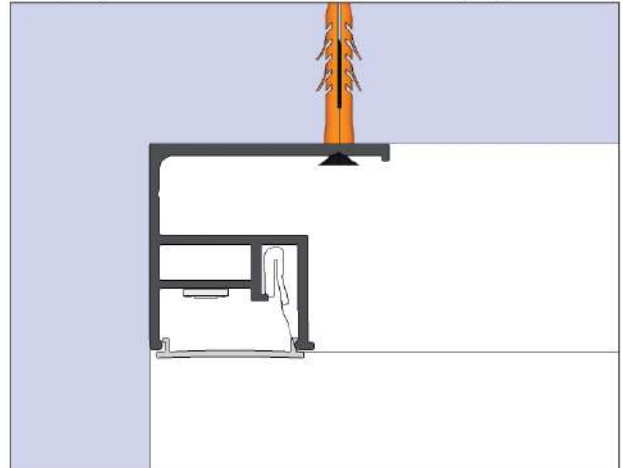
	LR-39	LR-40
Length, mm	5000	5000
Width, mm	8	8
Thickness, mm	1	1
Wavelength	6000K	4000K
LED color	cold white	neutral white
Luminous Intensity, lm/m	1700	1700
Limited voltage, V	DC 24	DC 24+-0,5
Output power, W/m	14	14

**LED-STRIP LR-04 RGBW CAN BE USED WITH VECTA CROWN LIGHT SYSTEM**

Fixing of profile AL 20 to the wall with wall plug



Fixing of profile AL 20 to the ceiling with wall plug



Recommended screw fixing centres for the AL-20 profile are 500 mm for concrete surfaces and 150 mm for gypsum boards. Drill size – 6mm diameter.

